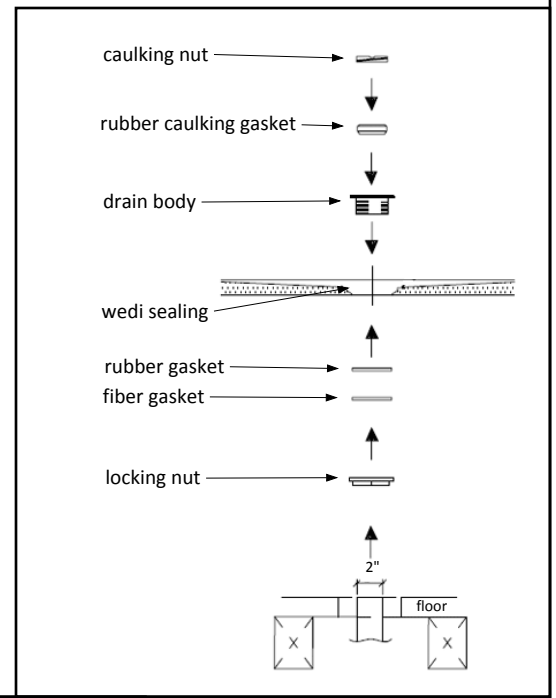
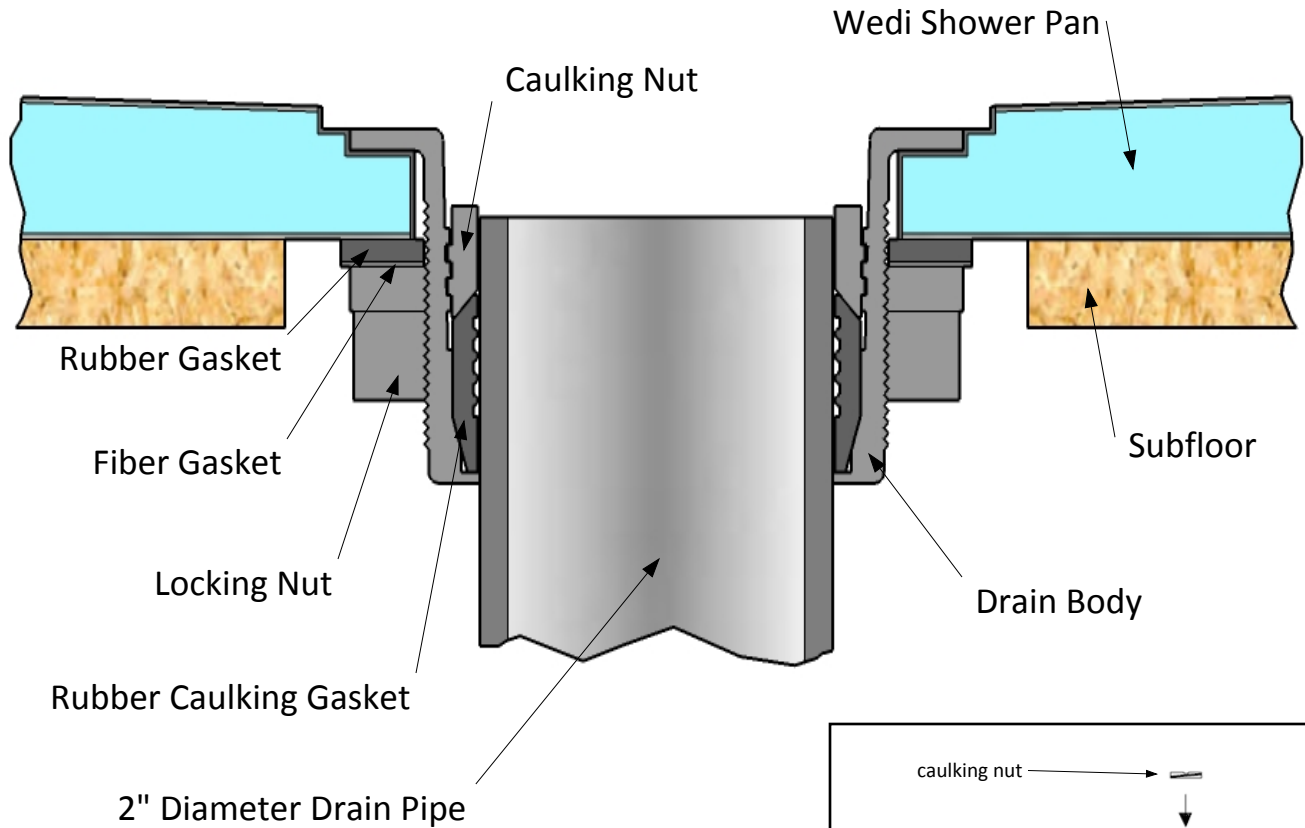


Wedi Shower Pan (Drain Detail)



Note:

1. Must have at least a 5" diameter hole in subfloor around pipe for drain assembly to fit properly
2. Cut off drain pipe 1/8" above subfloor for best results
3. Rubber Caulking Gasket must fit below top of drain pipe in order to tighten properly

**Wedi Shower Drain
Installation Detail**